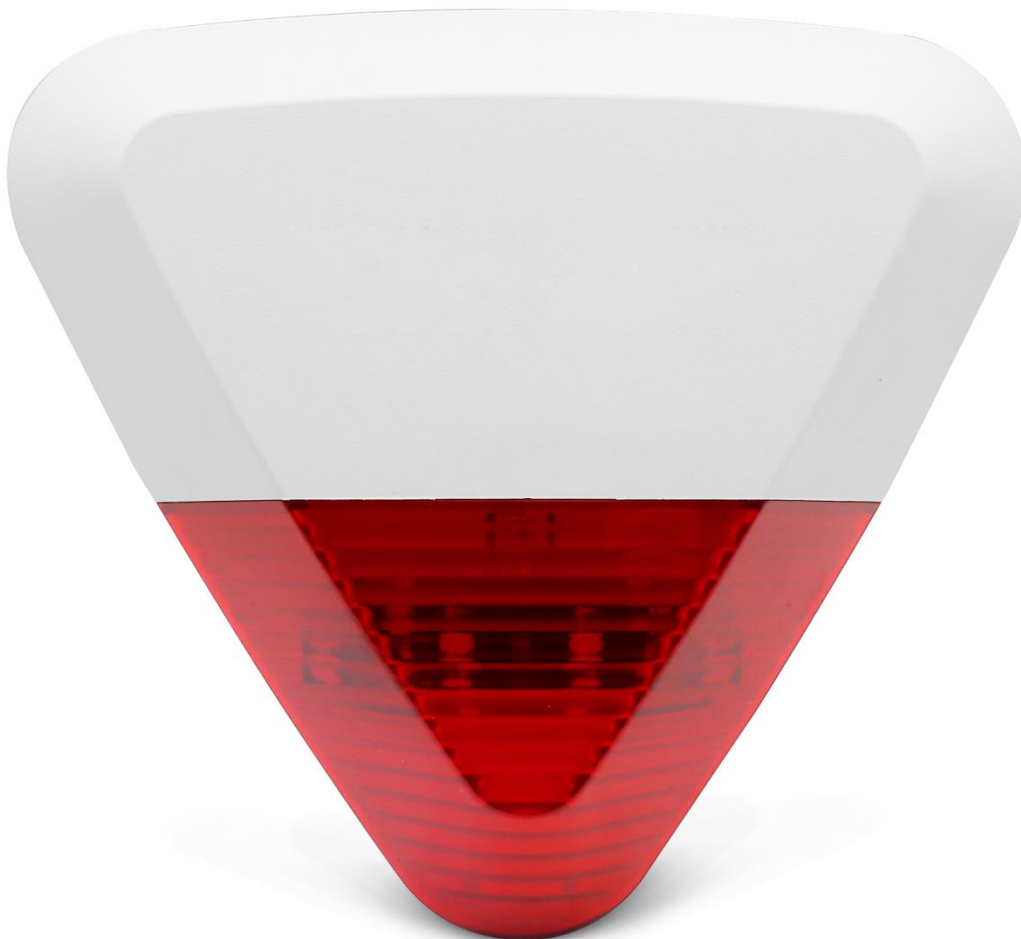


 **HOME**[®]
SECURE **Smart**

User Manual



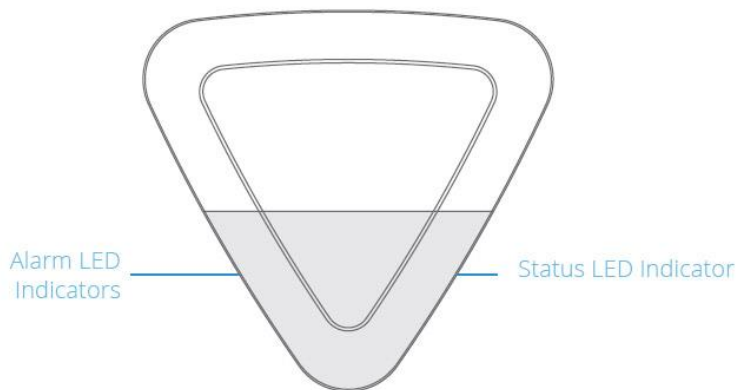
Model number: HS-Smart

Introduction

Wireless outdoor strobe siren is to deter intruders through hooting once it receives wireless signal from connected control panel or sensors. More wireless strobe sirens could be connected to the same control panel to strengthen the deterring effect. When the siren is connected to control panel as an accessory, it will hoot and its LED lights will flash once the system is triggered. When the siren is connected to accessories like remote control, door/window contact, and PIR motion detector, etc. as a standalone alarm control panel, it will hoot and its LED lights flash once any sensor is triggered.

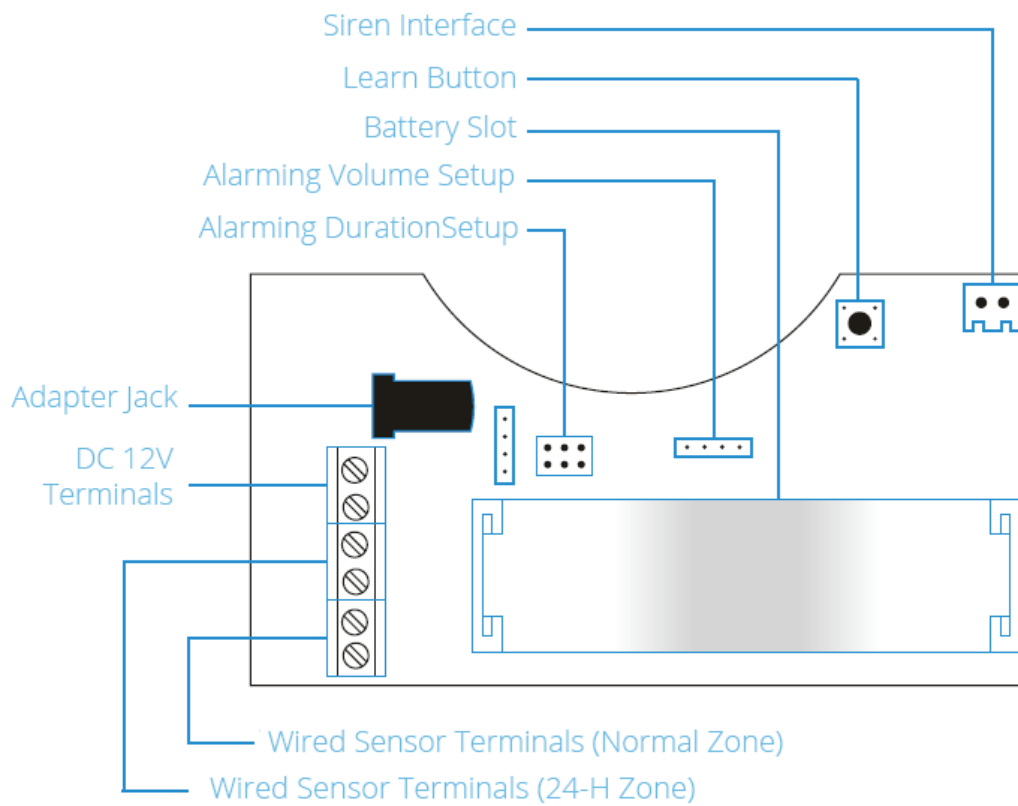
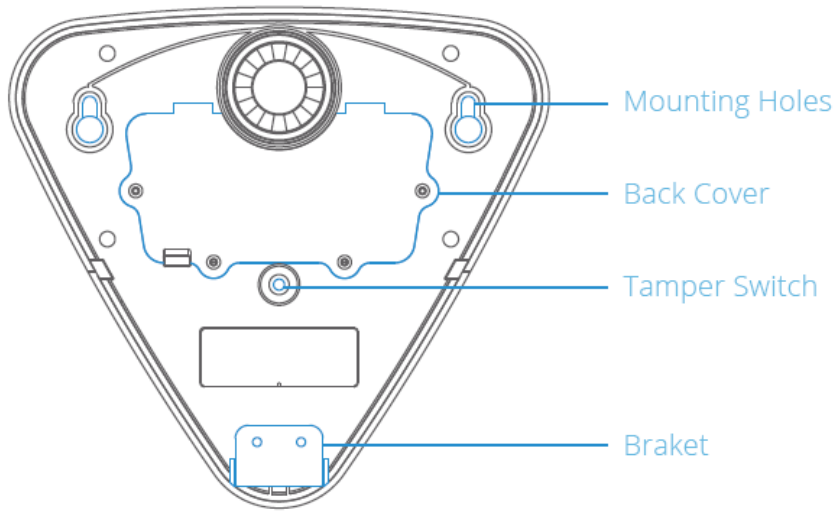
Product Overview

Front View



Status	LED
Arm/Home Mode	Flash every 5 seconds
Disarm	No light indication
No disarm operation after alarm	Flash every 2 seconds for 2 hours

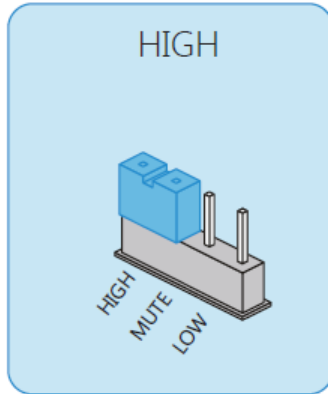
Rear View



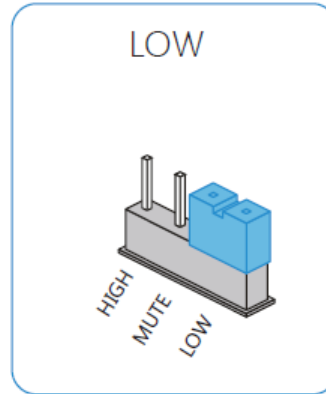
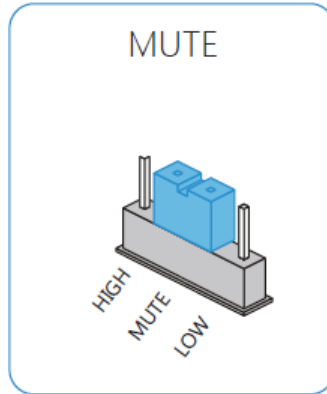
Jumper Setup

Please setup alarm volume and alarm duration time on the PCB accordingly

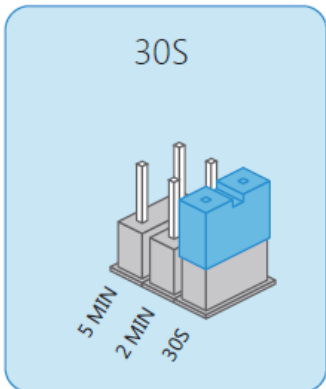
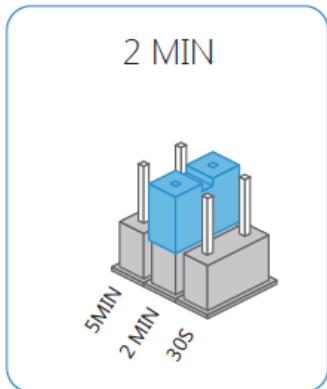
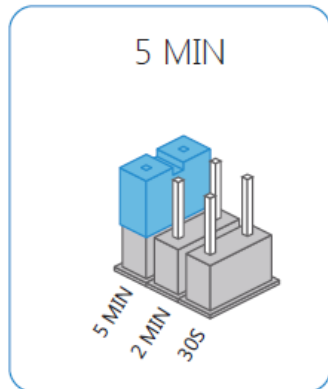
Alarm Volume Setup



Default Setting



Alarm Duration Setup



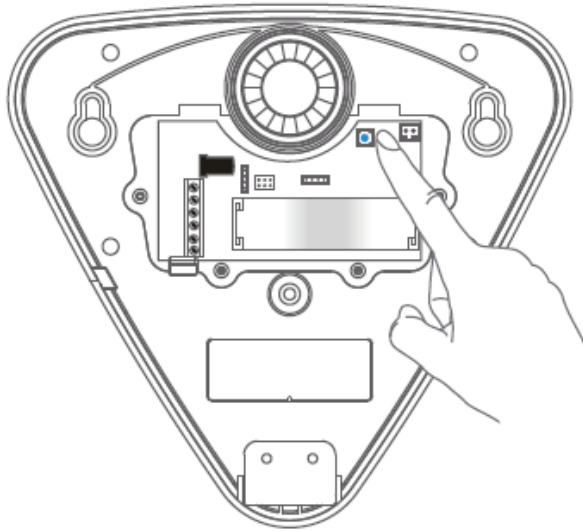
Default Setting

Work as Wireless Siren

When it works as a wireless siren, it should be connected with wireless control panel in advance. When the control panel is alarming, it hoots and the strobe light flashes to deter illegal intruders.

Connect to Control Panel

Press the Pairing Button for 0.5 second, siren beeps once and enter connection status.



Press [SOS] or [Arm] button on the panel (or press Arm on App if the panel does not have a button), the wireless siren and control panel are connected successfully after one beep is heard from siren.

Note: Once the siren is in connection status, please press Learn Button again to exit. One beep will be heard from siren. When connecting to control panel, please don't trigger any other sensors to avoid interference.

Disconnection

Hold the learn button till 2 beeps are heard to disconnect the siren and control panel.

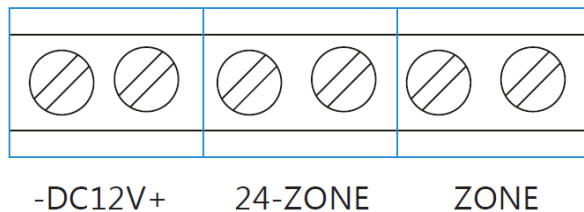
Work as Standalone Alarm Panel

When it works as a standalone alarm panel, it should be connected with wireless sensors or wired sensors in advance, when the intrusion is detected, it hoots and the strobe light flashes to deter illegal intruders.

Connect with accessory: press the learn button on the siren and trigger the accessory once, the connection is successful after one beep is heard from siren.

Wired Terminals

The siren has terminals for power supply and wired sensors. Just connect the power line or wired sensors to this wired terminals. Please make sure the positive and negative are distinguished.



-DC12V+ : Power input

ZONE (normal zone mode): After a wired sensor is connected with "ZONE" terminal, means it will work as a normal zone sensor, once it is triggered in Arm or Home Arm state, alarm panel will alarm immediately.

24-ZONE (24-hour zone mode): After a wired sensor is connected with "24-ZONE" terminal, means it will work as a 24-hour zone sensor, siren will alarm immediately once it is triggered.

Installation Mode

Installation Mode is designed for users to dismount or remount the siren without triggering a tamper alarm, thus not to disturb other people.

Press [Disarm] button on the remote control continuously for 3 times, then the siren comes to installation mode after a long beep is heard. Any sensor or tamper triggered during installation mode will not result in siren hooting but 3 beeps will be heard instead.

Press [Arm] button, the siren will exit from installation mode after a long beep is heard. Or the siren will exit from connection status when no operation is carried out within 10 minutes.

Note: Also you can press the tamper switch 7 times to enter installation mode.

Installation

- 1 - Please finish all the system setup on the PCB and enter into installation mode before installation.
- 2 - Hold the positioning paper in right place, stick the gradienter on the positioning paper to check and adjust the position.
- 3 - Install two screws into the top screw holes.

- 4 - Mount the bracket into the bottom screw holes and tighten with screws.
- 5 - Tear off the positioning paper.
- 6 - Mount the siren to the wall, tighten the screw and make sure the siren is well positioned.

Specifications

Power Supply:	DC 12 V 500 mA
Backup Battery:	18650 3.7 V 1800 mAh rechargeable lithium battery
Maximum Alarm Current:	<350 mA
Static Current:	<15 mA
Wireless Receiving Distance:	<80 m (in open area)
Operating Condition:	
Temperature:	-10°C~+55 °C
Relative Humidity:	<80% (Non-condensing)
Maximum Siren Volume:	105 dB
Battery Standby Time:	<7 days
Radio Frequency:	433 MHz
Housing Material:	PC+ABS, ANTI-UV
IP Rating:	IP64
Dimensions (L×W×H):	245.2 × 227.5 × 72.4 mm